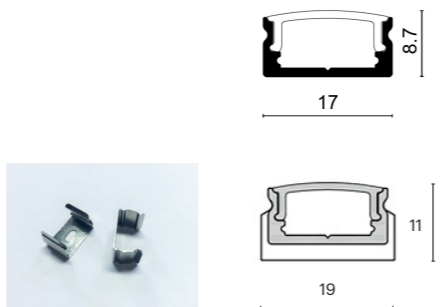
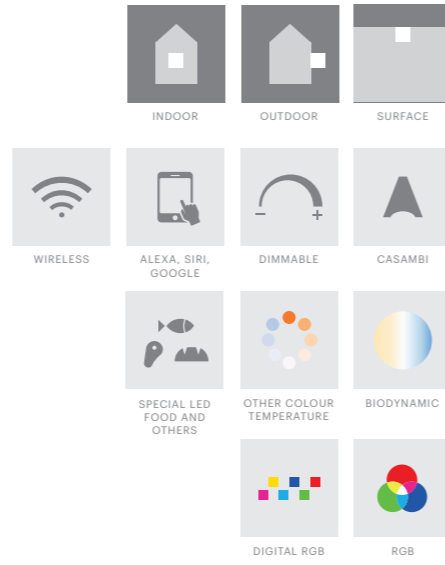




The MINIMUS-2 represents the natural technical evolution of the Minimus, while keeping the same expectations. Minimus represents simplicity and practicality brought to your everyday life. With little effort we have achieved a simple, small and practical design that offers several solutions for everyday projects: alcoves, kitchens, ledges, shelves, etc...



Bracket detail



CAN PERIGUS / PROJECT: QUIM ROQUE / PHOTO: JAUME LIS



PROJECT: OCTAVIO MESTRE ARCHITECT





PROJECT: SANDRA SOLER STUDIO / PHOTO: FRAGMENTS DE MARC TORRA



PROJECT: ESTUDI MAITE PRATS ARQUITECTURA INTERIOR / PHOTO: FRAGMENTS DE MARC TORRA

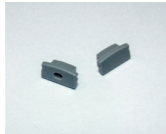
1. Profile

Reference	Description	Mounting
412.00.M	Minimus-2	Surface

2. Driver

See drivers section

3. Endcap

Reference	Description
412.11	Endcap (2 units) 

4. Mechanical Connections

Reference	Description
412.31	180° connector
412.32	90° connector

5. Fixations / Mounting Kits

Reference	Description
412.21	Fixation clip 
412.29	Adjustable clip 

6. LED Strip

Reference	Description	K	IP	LED Pitch	width	Wattage	Density	Flux	Minimus
40806.27.20.M	LEDstrip teM 4,8W 2700K IP20 60/C90/4mm	● 2700K	20	50	4	4,8	60	450	●
40806.30.20.M	LEDstrip teM 4,8W 3000K IP20 60/C90/4mm	● 3000K	20	50	4	4,8	60	450	●
40806.40.20.M	LEDstrip teM 4,8W 4000K IP20 60C90/4mm	● 4000K	20	50	4	4,8	60	450	●
40509.22.20.M	LEDstrip Tem-9,6W 2200K IP20 120/C80/8mm	● 2200K	20	10	8	9,6	120	840	●
40509.27.20.M	LEDstrip Tem-9,6W 2700K IP20 120/C80/8mm	● 2700K	20	10	8	9,6	120	840	●
40509.30.20.M	LEDstrip Tem-9,6W 3000K IP20 120/C80/8mm	● 3000K	20	10	8	9,6	120	840	●
40509.40.20.M	LEDstrip Tem-9,6W 4000K IP20 120/C80/8mm	● 4000K	20	10	8	9,6	120	840	●
40514.24.20.M	LEDstrip Tem-14,4W 2400K IP20 120/C80/8mm	● 2400K	20	10	8	14,4	120	1300	●
40514.27.20.M	LEDstrip Tem-14,4W 2700K IP20 120/C80/8mm	● 2700K	20	10	8	14,4	120	1300	●
40514.30.20.M	LEDstrip Tem-14,4W 3000K IP20 120/C80/8mm	● 3000K	20	10	8	14,4	120	1300	●
40514.40.20.M	LEDstrip Tem-14,4W 4000K IP20 120/C80/8mm	● 4000K	20	10	8	14,4	120	1300	●
40614.24.20.M	LEDstrip Tem-14,4W 2400K IP20 182/C90/8mm	● 2400K	20	33	8	14,4	182	1400	●
40614.27.20.M	LEDstrip Tem-14,4W 2700K IP20 182/C90/8mm	● 2700K	20	33	8	14,4	182	1400	●
40614.30.20.M	LEDstrip Tem-14,4W 3000K IP20 182/C90/8mm	● 3000K	20	33	8	14,4	182	1400	●
40614.40.20.M	LEDstrip Tem-14,4W 4000K IP20 182/C90/8mm	● 4000K	20	33	8	14,4	182	1400	●
40619.24.20.M	LEDstrip Tem-19,2W 2400K IP20 240/C90/10mm	● 2400K	20	25	10	19,2	240	2300	●
40619.27.20.M	LEDstrip Tem-19,2W 2700K IP20 240/C90/10mm	● 2700K	20	25	10	19,2	240	2300	●
40619.30.20.M	LEDstrip Tem-19,2W 3000K IP20 240/C90/10mm	● 3000K	20	25	10	19,2	240	2300	●
40619.40.20.M	LEDstrip Tem-19,2W 4000K IP20 240/C90/10mm	● 4000K	20	25	10	19,2	240	2300	●
40314.24.65.M	LEDstrip Nix-14,4W 2400K IP65	● 2400K	65		10	14,4	120	1000	●
40619.24.67.M	LEDstrip Tem-19,2W 2400K IP67 240/C90/10mm	● 2400K	67	25	12	19,2	240	2300	●
40619.27.67.M	LEDstrip Tem-19,2W 2700K IP67 240/C90/10mm	● 2700K	67	25	12	19,2	240	2300	●
40619.30.67.M	LEDstrip Tem-19,2W 3000K IP67 240/C90/10mm	● 3000K	67	25	12	19,2	240	2300	●
40619.40.67.M	LEDstrip Tem-19,2W 4000K IP67 240/C90/10mm	● 4000K	67	25	12	19,2	240	2300	●
40324.24.65.M	LEDstrip Nix-24W 2400K IP65	● 2400K	20		10	24	120	1800	●
40707.RGB.20.M	LEDstrip Cet- RGB 7,5W IP20 120/5mm	● RGB	20	50	5	7,5	120	335	●
40712.RGB.20.M	LEDstrip Cet- RGB 12W IP20 60/10mm	● RGB	20	100	10	12,0	60	370	●
40714.RGB.20.M	LEDstrip Cet- RGB 14W IP20 120/10mm	● RGB	20	50	10	14,0	120	670	●
40717.RGBW.20.M	LEDstrip Cet- RGBW 17,4W IP20 60/12mm	● RGBW	20	100	12	17,4	60	836	●
40719.RGBW.20.M	LEDstrip Cet- RGBW 19,2W IP20 240/12mm	● RGBW	20	50	12	19,2	240	900	●
40712.RGB.67.M	LEDstrip Cet- RGB 12W IP67 60/12mm	● RGB	67	100	12	12	60	320	●
40714.RGB.65.M	LEDstrip Cet- RGB 14W IP65 120/12mm	● RGB	65	50	12	14	120	630	●
40717.RGBW.65.M	LEDstrip Cet- RGBW 17,4W IP65 60/14mm	● RGBW	65	100	12	17	60	815	●

- Possible combination
- Possible but external connection between the wire and the LED strip

*IP 67 connectors available upon request

